

---

**10 TON TRANSPORTER  
OPERATION, MAINTENANCE,  
AND PARTS MANUAL**

***JERR-DAN***

An Oshkosh Truck Corporation Company

1080 Hykes Road  
Greencastle, PA 17225  
[www.jerr-dan.com](http://www.jerr-dan.com)  
(717) 597-7111

Part Number 951004

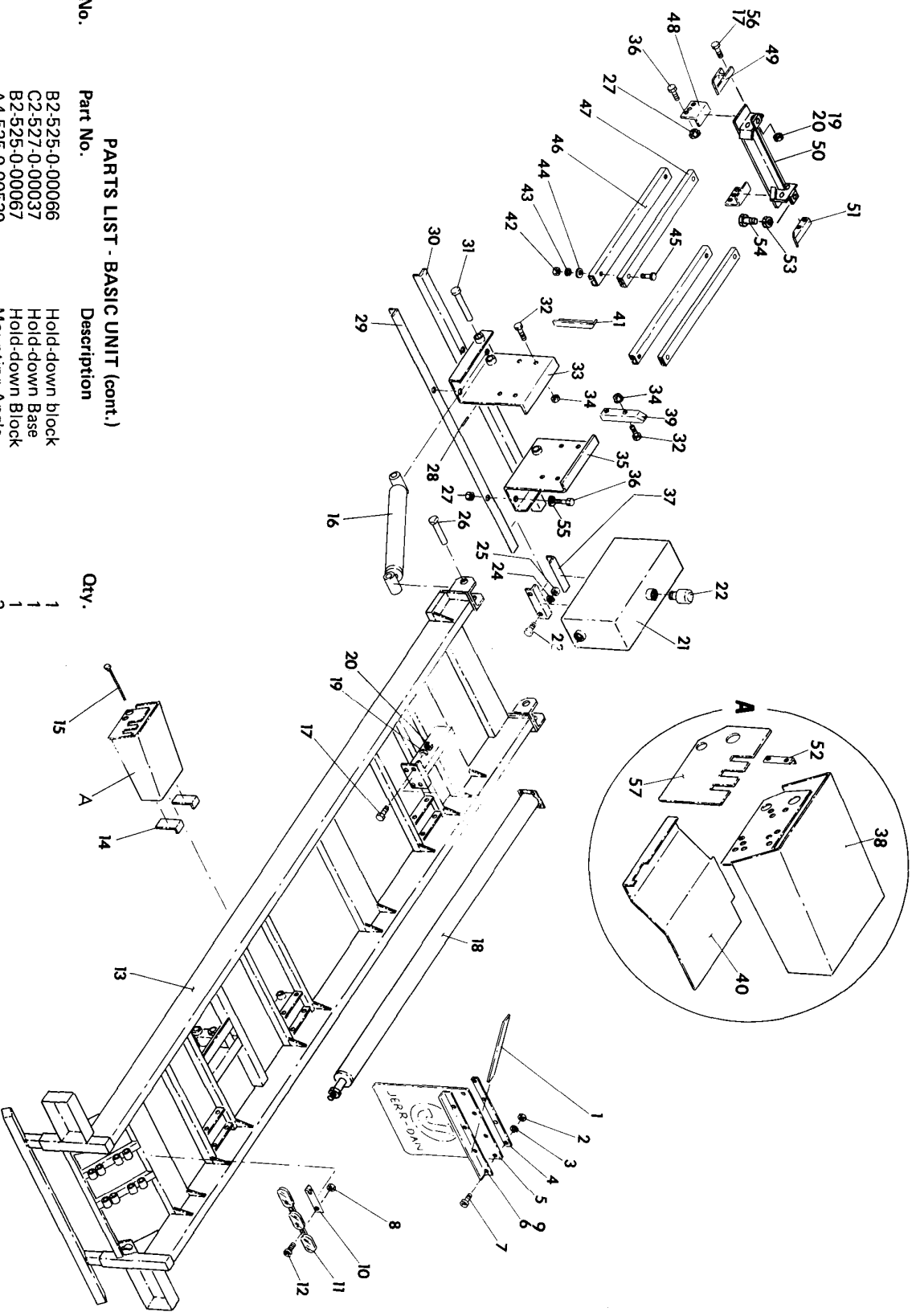
**PARTS LIST - BASIC UNIT**

Ref. No.	Part No.	Description	Qty.
1	A4-525-0-00085	Brace	2
2	7-660-1-50000	Hex Nut	8
3	7-950-1-50000	Lockwasher	8
4	B4-525-0-00708	Back-up Strip	2
5	C5-526-0-00588	Mud Flap	2
6	B4-525-0-00710	R.H. Mud Flap Bracket	1
7	7-111-1-50813	Truss Head Screw	8
8	7-660-1-00710	Hex Nut	2
9	B4-525-0-00709	L.H. Mud Flap Angle	1
10	A4-533-1-00080	Light bar angle	1
11	5-533-0-00231	Bar light	1
12	7-111-1-00610	Stove Bolt	2
13	D2-534-0-00164	Subframe 20'-22' Deck	1
	D2-534-0-00135	Subframe 24'-26' Deck	1
14	B4-533-1-00075	Valve trough mount	2
	5-526-0-00557	Throttle Control 20'-22'	
15	5-526-0-00558	Throttle Control 24'-26'	1
16	C1-700-1-00005	Tilt Cylinder	2
17	7-111-2-01653	Hex Head Bolt	8
	C1-700-1-00013	Rollback cylinder 26' Deck	1
	C1-700-1-00012	Rollback cylinder 24' Deck	1
18	C1-700-1-00011	Rollback cylinder 20'-22' Deck	1
19	7-950-2-00000	Lockwasher	8
20	7-660-2-00710	Hex Nut	8
21	C2-534-0-00062	Oil Reservoir	1
22	7-258-0-00063	Breather	1
23	7-111-1-81453	Hex Head Bolt	4
24	7-950-1-80000	Lockwasher	4
25	7-660-1-80000	Hex Nut	4
26	A2-534-0-00029	Upper Tilt Cyl. Pin	2
27	7-660-1-82317	Hex Nut	10
28	7-690-0-34040	Expansion Pin	2
29	B4-534-0-00042	Saddle Angle	1
30	B4-534-0-00121	Saddle Angle	1
31	A4-534-0-00124	Lower Tilt cyl. Pin	2
32	7-105-2-01650	Hex Head Bolt	12
33	C2-534-0-00067	Saddle	1
34	7-660-2-01630	Hex Lock Nut	12
35	C2-534-0-00066	Saddle	1
36	7-111-1-81450	Hex Head Bolt	10
37	C2-534-0-00120	Mounting Angle	2
38	C2-534-0-00026	Valve Trough	1
39	B2-520-0-00009	Body Stay	1
40	C4-534-00337	Dust Cover	1
41	B2-520-0-00008	Body Stay	1
42	7-660-1-60000	Hex Nut	4
43	7-950-1-60000	Lockwasher	4
44	7-950-1-60251	Flatwasher	4
45	7-111-1-63264	Carriage Bolt	4
46	4-534-0-00448	C-Channel 20' Deck	2
	4-534-0-00446	C-Channel 22' Deck	2
	B4-534-0-00422	C-Channel 24' Deck	2
	4-534-0-00423	C-Channel 26' Deck	2
47	*	Wood Block	2
48	B4-534-0-00401	Mounting Angle	2

\*Measure length of wood block before ordering.

(cont.)

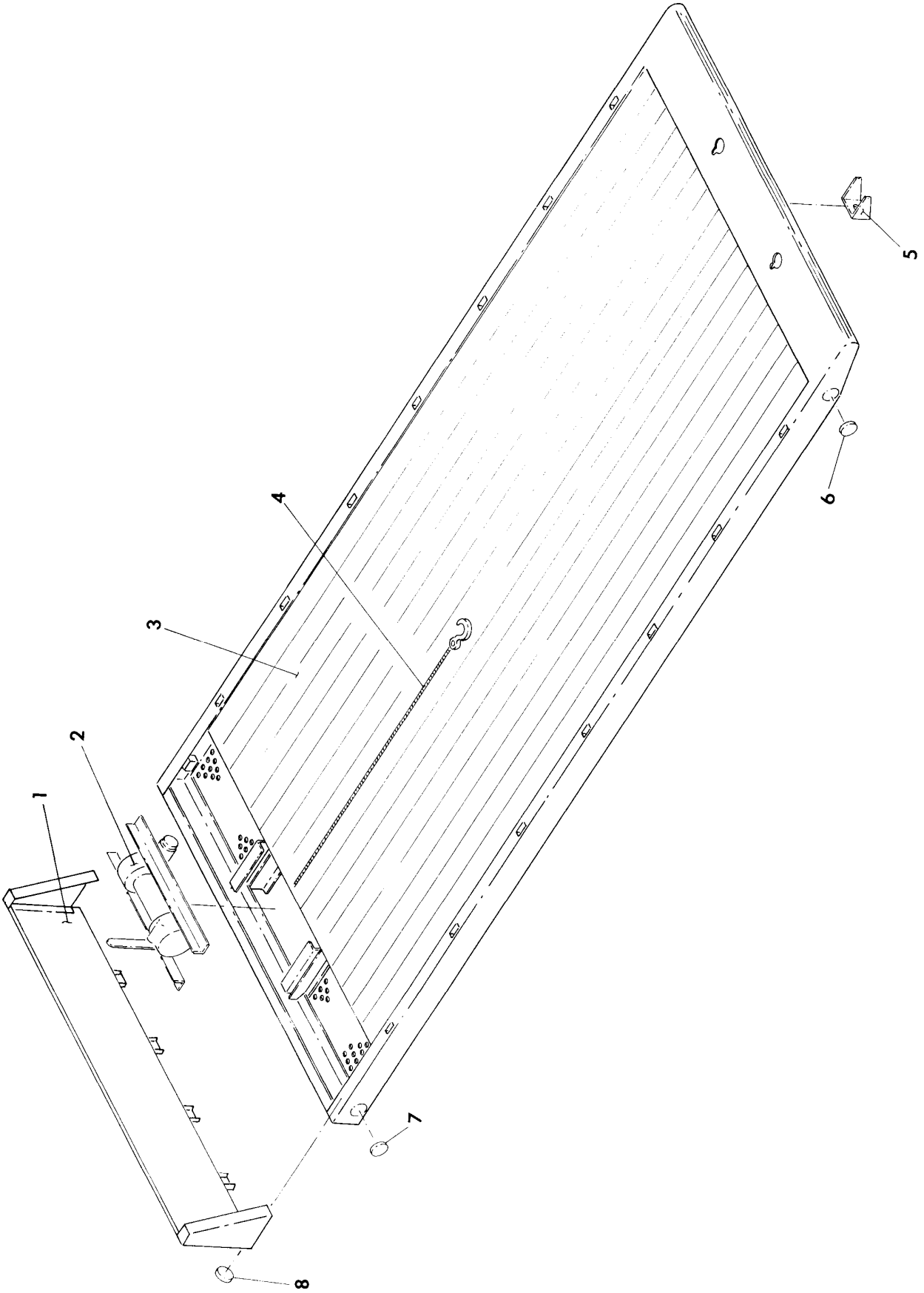
# BASIC UNIT



## PARTS LIST - BASIC UNIT (cont.)

Ref. No.	Part No.	Description	Qty.
19	B2-525-0-00066	Hold-down block	1
50	C2-527-0-00037	Hold-down Base	1
51	B2-525-0-00067	Hold-down Block	1
52	A4-525-0-00539	Mounting Angle	2
53	7-660-2-00200	Jam Nut	2
54	7-111-2-01453	Hex Head Bolt	2
55	7-950-1-80153	Hardened Flatwasher	4
56	7-950-2-00161	Flatwasher	4
57	B4-525-0-00540	Decal plate	1

DECK



Rev. \_\_\_\_\_

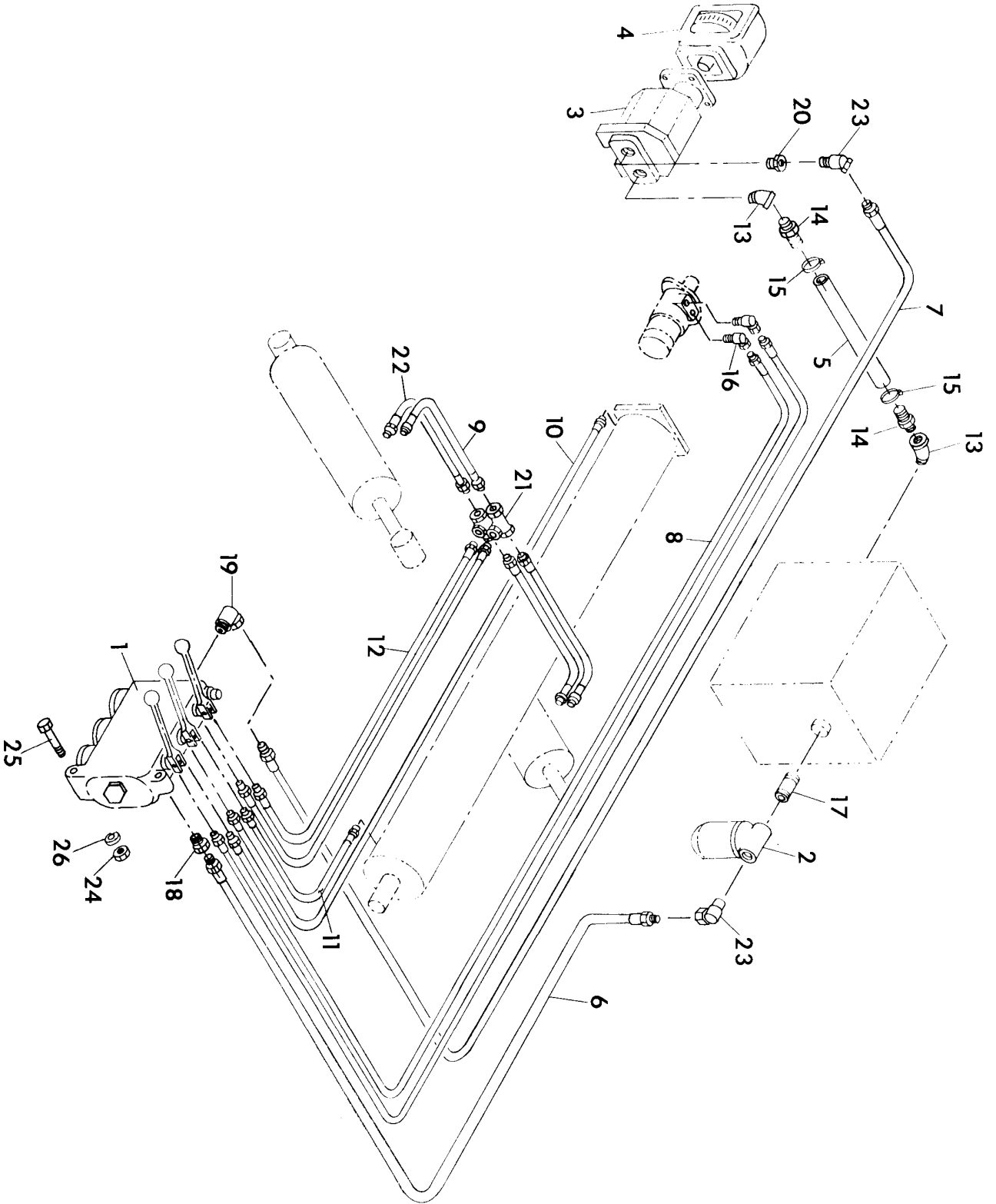
Date \_\_\_\_\_

---

**PARTS LIST - DECK**

<b>Ref. No.</b>	<b>Part No.</b>	<b>Description</b>	<b>Qty.</b>
1	D2-100-2-00021	Half Cab Protector	1
2		Winch Assembly	1
3		Deck	1
4	3-525-0-00218	Winch Cable	1
5	C4-525-0-00089	Rollback Bracket	1
6	3-100-0-00004	Red Clearance Light	2
7	3-100-0-00003	Amber Clearance Light	2
8	5-531-0-00023	Amber Reflector	2

# HYDRAULIC COMPONENTS



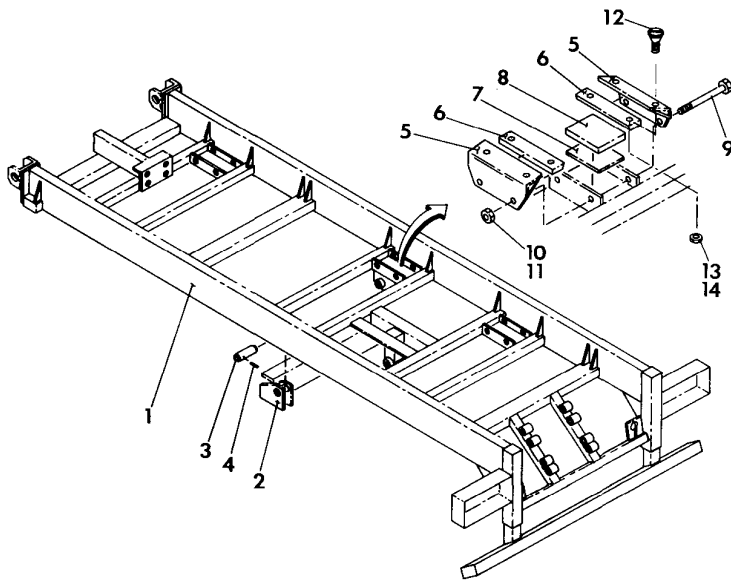
---

## PARTS LIST - HYDRAULIC COMPONENTS

Ref. No.	Part No.	Description	Qty.
1	3-100-0-00002	Valve	1
2	3-525-0-00216	Oil Filter	1
3	3-527-0-00068	Pump	1
4	3-100-0-00001	P.T.O.	1
5	*	Suction Hose	1
6	*	Return Hose	1
7	*	Pressure Hose	1
8	*	Winch Hose	2
9	*	Tilt Cylinder Hose (rod end)	2
10	*	Rollback Cylinder Hose (barrel end)	1
11	*	Rollback Cylinder Hose (rod end)	1
12	*	Tilt Cylinder Hose (valve to tee)	2
13	7-444-1-01090	1.25 x 45° Street Elbow	2
14	7-445-2-02078	1.25 Hose Adaptor	2
15	5-527-0-00067	Hose Clamp	2
16	7-445-0-80804	90° Swivel Elbow	2
17	7-650-0-60160	Pipe Nipple	1
18	7-445-1-21201	Swivel Union	1
19	7-445-1-21204	90° Swivel Elbow	1
20	7-444-0-80654	Reducer	1
21	7-445-0-80613	Tee	2
22	*	Tilt Cylinder Hose (barrel end)	2
23	7-445-1-21209	45° Swivel Elbow	2
24	7-660-1-60000	Hex Nut	3
25	7-111-1-62053	Hex Head Bolt	3
26	7-950-1-60000	Lockwasher	3

\* When ordering replacement hoses, measure length and which hose is needed.

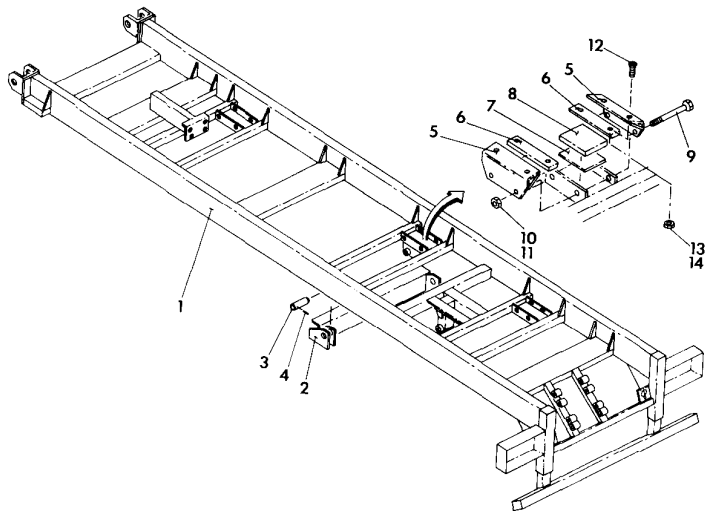
## SUBFRAME COMPONENTS



### PARTS LIST - 20' - 22' SUBFRAME COMPONENTS

Ref. No.	Part No.	Description	Qty.
1	D2-534-0-00164	Subframe	1
2	C2-534-0-00158	Trunnion	1
3	A4-533-1-00090	Hinge Pin	2
4	7-690-1-64040	Expansion Pin	2
5	B4-534-0-00169	Nylatron Holder	12
6	A4-525-0-00653	Wear Pad	12
7	A4-534-0-00176	Nylatron Spacer	6
8	A4-534-0-00171	Nylatron Pad	6
9	7-115-1-82850	Hex Head Bolt	12
10	7-660-0-80000	Hex Head Nut	12
11	7-950-1-80000	Lockwasher	12
12	7-111-1-60007	Flat head Machine Screw	24
13	7-660-1-60000	Hex Nut	24
14	7-950-1-60000	Lockwasher	24

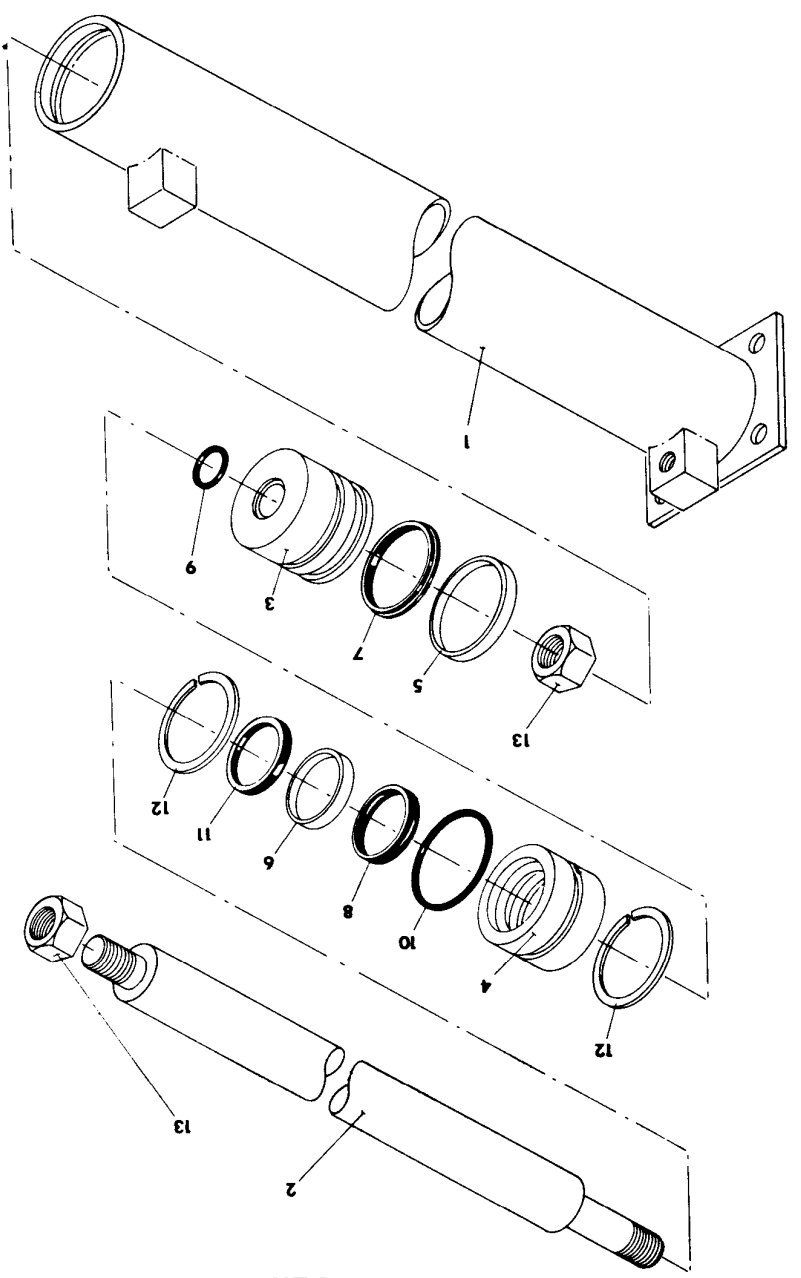
## SUBFRAME



### PARTS LIST - 24' - 26' SUBFRAME COMPONENTS

Ref. No.	Part No.	Description	Qty.
1	D2-534-0-00135	Subframe	1
2	C2-534-0-00158	Trunnion	1
3	A4-533-1-00090	Hinge Pin	2
4	7-690-1-64040	Expansion Pin	2
5	B4-534-0-00169	Nylatron Holder	12
6	A4-525-0-00653	Wear Pad	12
7	A4-534-0-00176	Nylatron Spacer	6
8	A4-534-0-00171	Nylatron Pad	6
9	7-115-1-82850	Hex Head Bolt	12
10	7-660-1-80000	Hex Head Nut	12
11	7-950-1-80000	Lockwasher	12
12	7-111-1-60007	Flat head Machine Screw	24
13	7-660-1-60000	Hex Nut	24
14	7-950-1-60000	Lockwasher	24

**ROLL BACK CYLINDER**



4.9

Rev. \_\_\_\_\_  
Date \_\_\_\_\_

---

**PARTS LIST - ROLLBACK CYLINDER**

Ref. No.	Part No.	Description	Qty.
1	C2-700-2-00016	Barrel Weldment (711)	1
	C2-700-2-00017	Barrel Weldment (712)	
	C2-700-2-00018	Barrel Weldment (713)	
2	B4-700-2-00039	Rod (711)	1
	B4-700-2-00041	Rod (712)	
	B4-700-2-00043	Rod (713)	
3	B4-700-2-00020	Piston	1
4	B4-700-2-00021	Head	1
5	A5-700-0-00008*	Ring, Wear	1
6	A5-700-0-00009*	Ring, Wear	1
7	A5-700-0-00010*	Seal, 'T'	1
8	A5-700-0-00011*	Seal, Rod	1
9	7-755-2-22000*	Ring, 'O'	1
10	7-755-3-42000*	Ring, 'O'	1
11	A5-700-0-00012*	Seal, Rod Wiper	1
12	A5-700-0-00013	Ring, Retaining	2
13	7-660-3-41630	Nut, Lock	2

\* AVAILABLE ONLY IN SERVICE PARTS KIT NO. 9-700-0-00002

NOTE: Cylinder Identification

A 3 digit number is stamped on the port block (ie 711) and this number will identify which barrel weldment and rod is used.

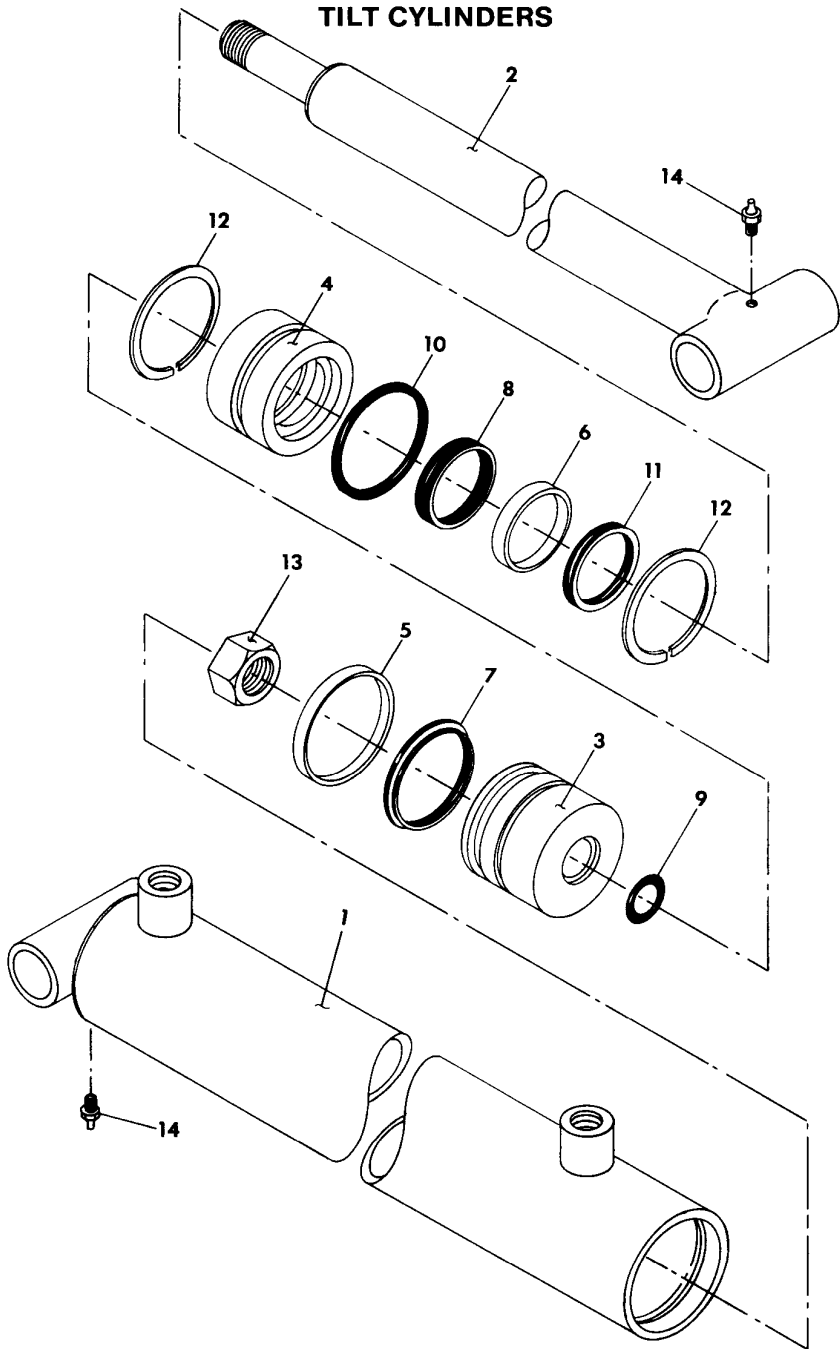
---

**PARTS LIST - TILT CYLINDER**

<b>Ref. No.</b>	<b>Part No.</b>	<b>Description</b>	<b>Qty.</b>
1	C2-700-2-00008	Barrel Weldment	1
2	B2-700-2-00010	Rod Weldment	1
3	B4-700-2-00020	Piston	1
4	B4-700-2-00021	Head	1
5	A5-700-0-00008*	Ring, Wear	1
6	A5-700-0-00009*	Ring, Wear	1
7	A5-700-0-00010*	Seal, T	1
8	A5-700-0-00011*	Seal, Rod	1
9	7-755-2-22000*	"O" Ring	1
10	7-755-3-42000*	'O' Ring	1
11	A5-700-0-00012*	Seal, Rod Wiper	1
12	A5-700-0-00013	Ring, Retaining	2
13	7-660-3-41630	Nut, Lock	1
14	7-440-0-00200	Fitting, Grease	2

\*AVAILABLE ONLY IN SERVICE PARTS KIT NO. 9-700-0-00002

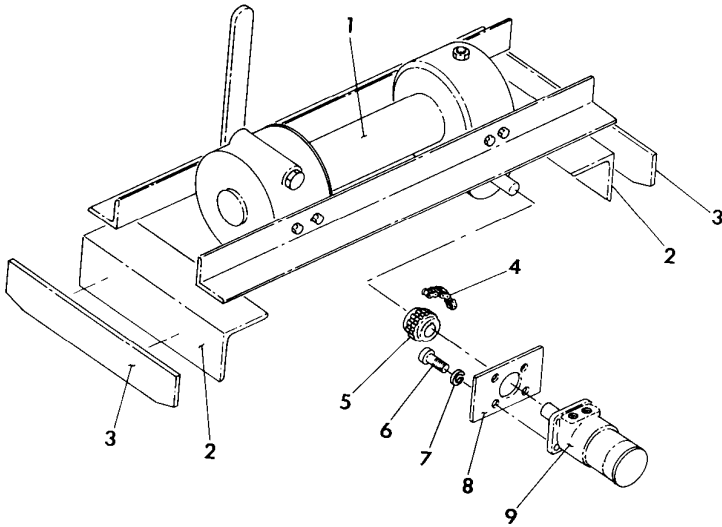
TILT CYLINDERS



4.12

Rev. \_\_\_\_\_  
Date \_\_\_\_\_

## WINCH COMPONENTS

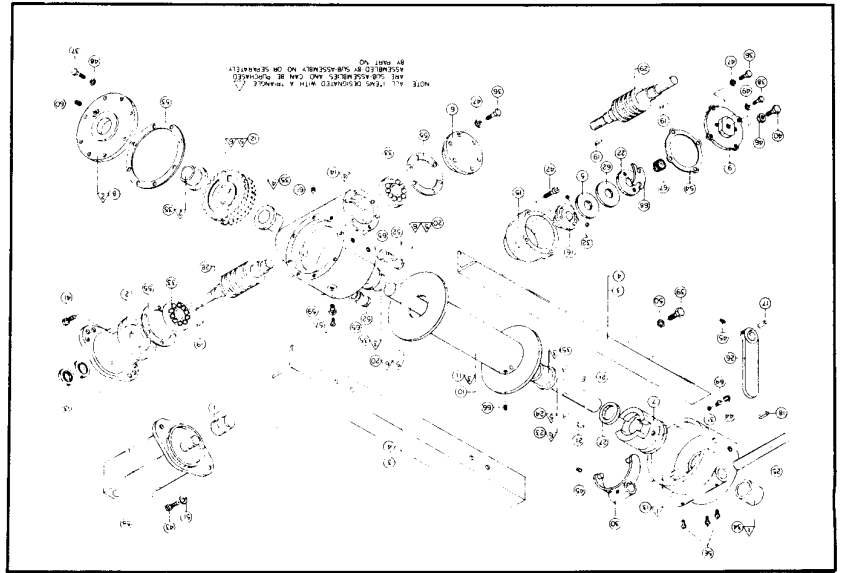


### PARTS LIST - WINCH COMPONENTS

Ref. No.	Part No.	Description	Qty.
1	3-525-0-00214	Winch	1
2	4-525-0-00703	Winch Mounting Angle	2
3	4-525-0-00613	Tie Plate	2
4	5-533-0-00055	Chain	1
5	5-533-0-00054	Coupling	2
6	7-111-1-60653	Hex Head Bolt	4
7	7-950-1-60000	Lockwasher	4
8	A4-527-0-00108	Orbit Motor Mounting Plate	1
9	3-525-0-00219	Orbit Motor	1

4.13

Rev. \_\_\_\_\_  
Date \_\_\_\_\_



MATERIAL LISTING

ITEM NO	QTY	PART NO	DESCRIPTION	ITEM NO	QTY	PART NO	DESCRIPTION	ITEM NO	QTY	PART NO	DESCRIPTION
3	2	302458	Angle (400)	25	1	356902	Shaft	47	6	418163	Washer
5	1	314003	Cap (G-400)	26	1	358001	Lever	48	8	418169	Washer (G-400)
6	1	316004	Cup	27	1	362007	Spacer	49	2	418184	Washer
7	1	324102	Cutch	28	1	368004	Worm R.H.	50	8	418198	Washer
8	1	328057	Cover (G-400)	29	1	368057	Worm R.H. (G-400)	51	1	422020	Gasket (G-400)
9	1	328057	Cover (G-400)	30	1	370003	Yoke	52	2	422010	Gasket
10	1	332004	Drum	31	1	400003	Ball (G-400)	53	1	442010	Drag Brake
12	1	334016	Gear R.H.	32	2	402044	Bearing	54	1	442020	Gasket
13	1	338009	Housing	33	2	412005	Bushing	55	2	442053	Gasket
14	1	338010	Housing	34	1	412006	Bushing	56	3	456006	Fitting
15	1	338038	Housing (G-400)	35	2	412005	Bushing	57	1	456008	Fitting
16	1	340034	Hub (G-400)	36	4	412006	Bushing	58	1	456008	Fitting
17	1	342034	Key	37	8	412006	Bushing	59	1	468002	Reducer
18	1	342051	Key	38	8	412006	Bushing	60	1	468010	Plug
19	2	342120	Key	39	8	414127	Cap screw	61	1	468011	Plug
20	2	342120	Key	40	2	414134	Cap screw	62	2	474004	Washer (G-400)
21	2	342123	Key	41	2	414190	Cap screw (G-400)	63	2	486012	Washer (G-400)
22	1	352020	Plate (G-400)	42	6	414574	Cap screw (G-400)	64	2	494005	Spring
23	1	356702	Shaft (400)	43	1	414574	Cap screw (G-400)	65	2	494006	Spring
				44	1	414971	Screw	66	2	494006	Spring
				45	2	416108	Screw	67	1	494010	Spring (G-400)
				46	1	418067	Nut (G-400)	68	1	494020	Spring (G-400)

SUB ASSEMBLY LISTING

ITEM NO	QTY	PART NO	DESCRIPTION	ITEM NO	QTY	PART NO	DESCRIPTION
1	1	222015	Cutch Hsg. Assy.	1	1	250163	Gear & Shaft Assy.
1	1	228008	Cover Assy.				
1	1	248010	Gear Hsg. Assy.				

4.14

Rev. \_\_\_\_\_  
Date \_\_\_\_\_