

Choose Trailer Type

Then Choose Model

Trailers- Utility Tag

Updated March 18, 2006



LANDOLL LT1420



Model	Capacity*	Base Weight	Deck	Axles	Tires & Ply Rating
LT1420	14,000 lbs.	4,350 lbs.	20'x 8'6"	2	215/75R 17.5



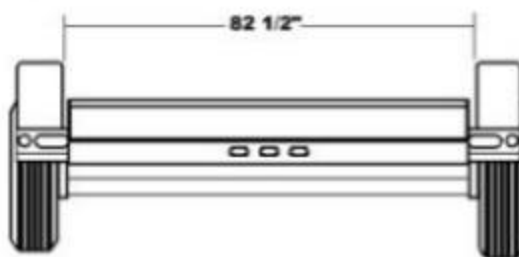
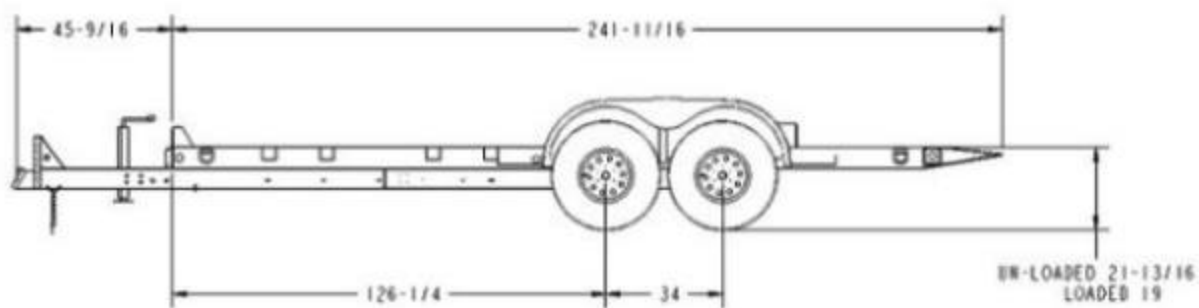
[View Photo Gallery](#)

Photos may show optional equipment

STANDARD EQUIPMENT

Load Capacity:	14,000 Lbs.	Tilt Cylinder:	2-1/2 x 16 Cushion Cylinder with Tilt Control System
G.V.W.R.	18,200 Lbs.	Approach:	Full Width Landoll Traction Plate
Base Weight:	4,200 Lbs.	Lock Down:	Positive Over Center
Main Frame:	6.5 Inch Channel	Lights:	Sealed Beam - Per I.C.C. & Federal Regulations
Crossmembers:	6.5 Jr. I-Beam 80,000 PSI Yield on 12" Centers	Electrical:	6 Pole Electric Plug - Wiring in Conduit
Jack:	12,000 Lb. Top Crank - Bull Dog	Fenders:	14 Gauge Cold Roll Formed w/Back (82-1/2" in between)
Tires:	215/75R 17.5 Goodyear	Running Boards:	16 Gauge - Cold Roll Formed w/Anti-Skid Tape
Wheels:	Steel Wheels - 8 Bolt Pattern	Tie Rings:	5/8" D-Rings (4)
Axles:	2 - 8,000 Lb. E-Z Lubes	Stake Pockets:	4 Per Side
Suspension	Torflex Axles	Safety Chains:	3/8" x 35" - G70 Chain
Brakes:	12-1/4"x3-3/8" Electric Brakes (Both Axles)	Break-away Kit:	w/Gel Cel Chargeable Battery and Box
Hitch:	3" Pintle Eye, 12" Vertical Height Adjustment, 15,000 Lb. Capacity	Finish:	Your Choice: White, Black or Yellow Non-fading, Scratch & Chip Resistant Powder Coat
Tool Box	Under Deck		
Decking:	2" CA-B Copper Azole Treated Pine		
Deck Height (Loaded):	22 Inch Loaded		
Width:	82-1/2" Inside Fenders - 102" O.A.		
Length:	20' Tilt Deck		
Load Angle:	10 Degrees		

Specifications subject to change without notice.



[Enlarge Drawing](#)

*Indicates dimension may change due to options indicated.

OPTIONAL EQUIPMENT

BRAKES:

Electric Brake Kit for Truck
Ball Hitch & Surge Brakes Not Available

TIE DOWN RINGS:

Additional D-Rings (each)

WINCH:

8,000 Lb. Electric Ramsey Winch

DECK AND ACCESSORIES:

Rumbar Decking
Sideboard per Pair
Apitong Wood Deck (in lieu of std)

TIRES AND RIMS:

215/70R 17.5 Michelin Tires in lieu of Standard
Spare Michelin Tire & Hub Pilot Type Rim (215/75R 17.5) each
Spare Goodyer Tire & Hub Pilot Type Rim (215/75R 17.5) each
Spare Tire Carrier

[Click here to view PDF of literature.](#)

[Click Here to receive printed literature for this product.](#)
(Make sure you click on LT1420 in the product listing)

[Close Window](#)

1900 North Street | Marysville, Kansas 66508 | (785) 562 -5381
© 2002 Landoll Corporation, All rights reserved