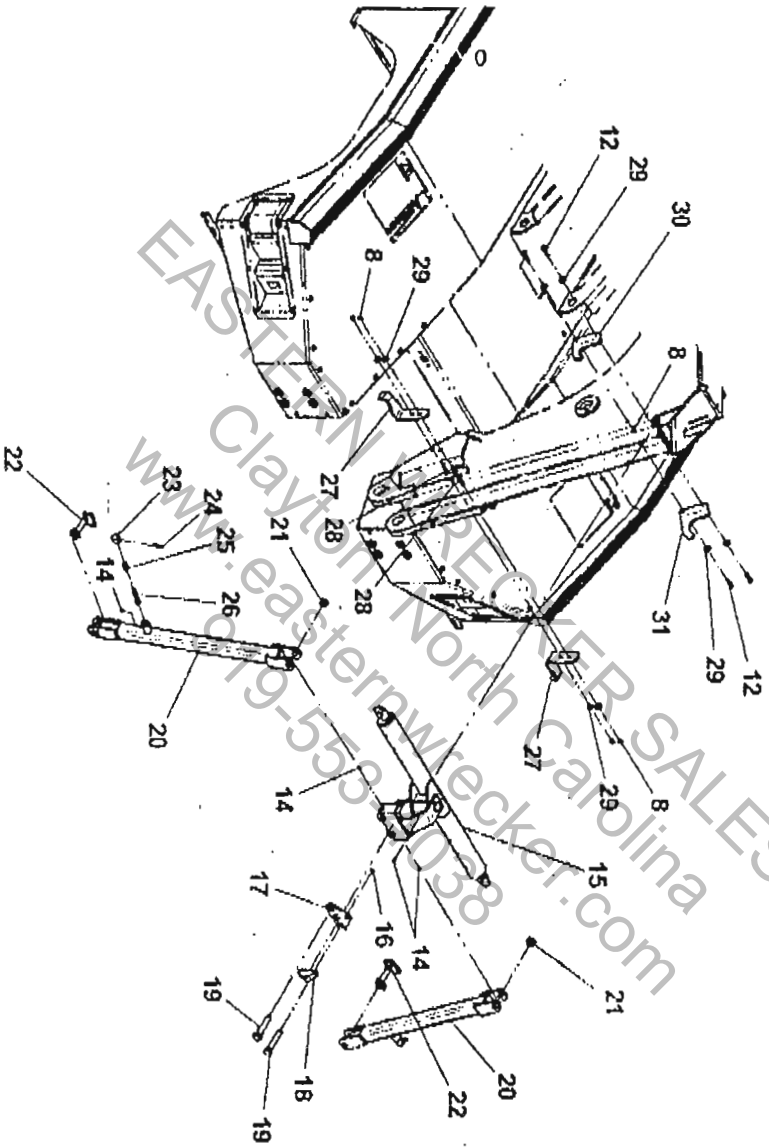
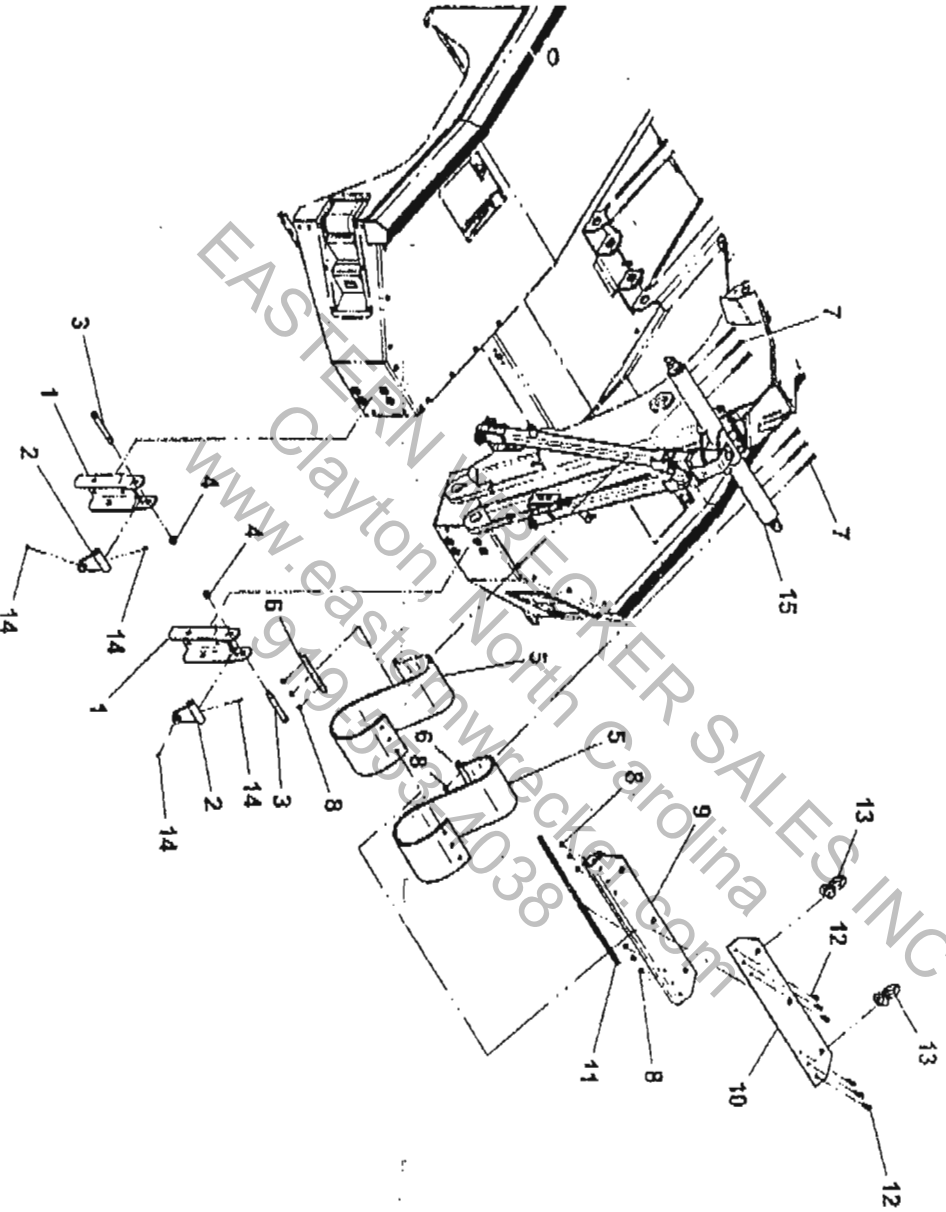


TOW SLING (SINGLE OR DUAL WINCH)



TOW SLING (SINGLE OR DUAL WINCH)



TOW SLING (SINGLE OR DUAL WINCH)

ITEM	PART NO.	DESCRIPTION	QTY
1	4178000621	Brackets:	2
2	3309000007	U-Joint Weld	2
3	7115223806	Shoulder Bolt, 0.63"-11NC x 4.75"	2
4	7660202601	Locknut, 0.63"-11NC	2
5	7822000003	Sling Belt	2
6	4062000556	Bar	2
7	7118163218	Capcrew, 0.38"-16NC x 4.00"	6
8	7660162601	Locknut, 0.38"-16NC	20
9	3017000008	Anchor Weld	1
10	4706000727	Plate	1
11	8632000002	Trim	29in
12	7115161250	Capcrew, 0.38"-16NC x 1.50"	10
13	7804000091	Anchor Shackles (single winch)	1
14	7804000001	Anchor Shackles (dual winch)	2
15	7440030000	Grease Fitting	9
16	3500800073	Tow Sling Head Weld	1
17	7790161253	Screw, 0.38"-16NC x .75"	1
18	4706005225	Plate	1
19	4679000276	Pad	1
20	7105223250	Capcrew, 0.75"-16NF x 4.00"	2
21	3020000007	Hold Back Arm Assembly	2
22	7661000017	Locknut, 0.75"-16NF	2
23	7691000053	Hitch Pin	2
24	4254000006*	Rod	2
25	4691000184*	Rod	2
26	7843000006*	Compression Spring	2
27	4691000188*	Pin	2
28	4178000622	Bracket	2
29	7115161064	Carriage Bolt, 0.38"-16NC x 1.25"	4
30	7950160161	Flatwasher, 0.38" ID	4
31	4178000624	Bracket LH	8
	4178000625	Bracket RH	1
			1

* also available in A:m Weld Outer Tube, P/N 3020000005

EASTERN WRECKER SALES INC
 Clayton, North Carolina
 www.easternwrecker.com
 919-553-4038