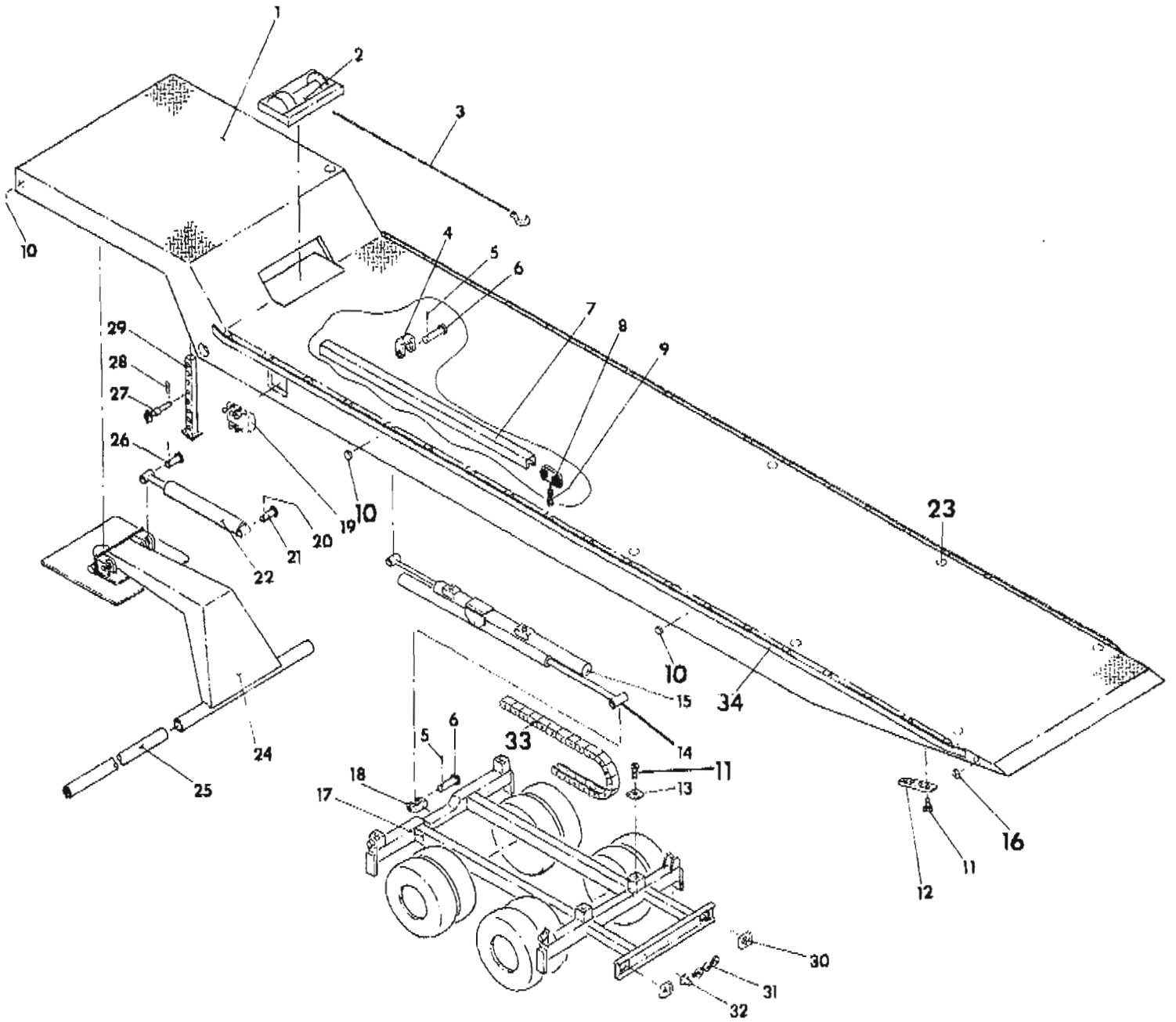


PARTS LIST - FINAL ASSEMBLY



PARTS LIST - FINAL ASSEMBLY

Ref. No.	Part No.	Description	Qty.
1.	E2-535-2-00016	48' Steel Deck	1
	E2-535-2-00021	48' Wood Deck	1
	E2-535-2-00058	45' Wood Deck	1
	E2-535-2-00096	45' Steel Deck	1
2.	C2-535-2-00045	Winch Weight	1
	2-535-1-00055	Winch 20000#	Opt.
3.	3-100-0-00032	Cable Assembly	1
	3-100-0-00033	Cable Assembly (20000#)	Opt.
4.	A4-535-2-00011	Cylinder Bracket	1
5.	7-690-1-43644	Roll Pin	2
6.	A2-534-0-00029	Cylinder Pin	2
7.	B4-535-2-00252	Track	1
8.	5-535-0-00219	Roller Guide	1
9.	5-535-0-00220	Clamp	2
10.	3-100-0-00003	Amber Light	6
11.	7-115-1-61423	Machine Screw	20
12.	A4-535-2-00084	Wear Pad R.H.	2
	A4-535-2-00203	Wear Pad L.H.	2
13.	A4-535-2-00115	Wear Pad	4
14.	C1-700-1-00035	Axle Cylinder	1
15.	C1-700-1-00029	Axle Cylinder	1
16.	3-100-0-00004	Red Light	2
17.	D2-535-2-00014	Axle Carrier, Spring	1
	D2-535-2-00019	Axle Carrier, Air	Opt.
18.	A4-535-2-00112	Cylinder Bracket	1
19.	3-520-0-00003	Valve	1
20.	7-690-0-34040	Roll Pin	4
21.	A2-535-2-00024	Cylinder Pin	2
22.	C1-700-1-00021	Lift Cylinder	2
23.	3-100-0-00016	Tie Down	16
24.	D2-535-2-00003	Lift Arm	1
25.	B2-535-2-00047	Pivot Shaft	1
26.	A2-535-0-00053	Lift Cylinder Pin	2
27.	A2-535-0-00088	Landing Gear Lock Pin	2
28.	A5-535-0-00106	Hair Pin	2
29.	A2-535-2-00017	Landing Gear Leg	2
30.	5-535-0-00211	Turn, Tail & Stop Light	2
31.	5-535-0-00212	I.D. Lamp Bar	1
32.	A5-535-0-00154	License Plate Light	1
33.	3-535-0-00048	Hose Guide	1
34.	D2-535-0-00049	Tie Down Rail	Opt.